



Organizing your pantry is easier than ever with Rev-A-Shelf's innovative line of accessories. Whether you prefer the beautiful look of wood, the luxurious style of chrome, or the more practical polymer, you are sure to find the perfect answer to your walk-in or in-cabinet pantry needs. Designed to increase functionality and enhance the look and performance of your kitchen, our ground-breaking accessories provide easy access and organization for everyday items.

T A L L



- Designed for 18" (14-1/4" minimum cabinet opening) and 24" (20-1/4" minimum cabinet opening) base cabinets
- Double and triple drawer options available
- Tall drawers feature peg board bottoms with (3,4) pegs and (6,8) metal dividers
- BLUMOTION soft-close slides
- Stackable for use in a pantry applications
- Easily adjustable drawer height locations for storing tall and short items
- TSCA Title VI compliant

(2) 4PIL-21-1
(3) 4WDB4-PIL-24SC-1
(2) 4WDB7-24SC-1



For video visit:
rev-a-shelf.com/videos

NOTE: See page 132 to see the Pilaster System in a base application



4PIL-18SC-3
Pilaster System Kit
(2) Standards, (1) Tall and brown finish shown)

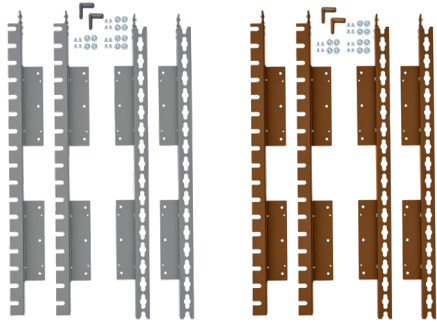


4PIL-24SC-SV-2
Pilaster System Kit
(1) Standards, (1) Tall and Silver finish shown)



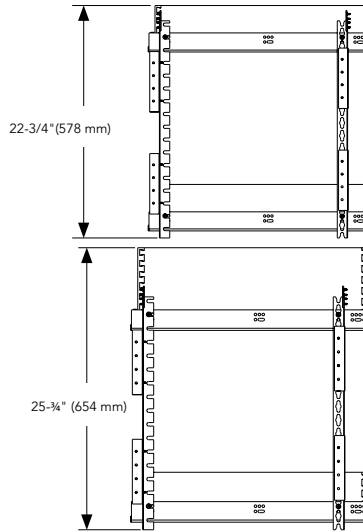
4WDB7-PIL-24SC-1
Tall Drawer w/ Dividers
(24" Version Shown)

WHITE FINISH COMING SUMMER 2019!



4PIL-21SV-1 & 4PIL-21-1
Pilaster Uprights
(Silver and Brown Finish Shown)

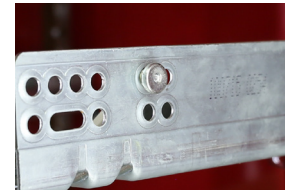
Max Height
(With Standard or Tall drawer on top)



4WDB4-PIL-18SC-1
Standard Drawer
(18" Version Shown)



4PIL-BUTTON-1
Pilaster Slide
Attachment Buttons



*Adjustable +/- 3/8" . †Adjustable to 2".

Pilaster System Kits w/ BLUMOTION Soft-Close - Slides and Uprights - Silver

PRODUCT	DESCRIPTION	DIMS	MCO	CAB	FINISH	SLP
4PIL-18SC-SV-2	(1) Standard, (1) Tall w/ Dividers	16-5/16" (567 mm) W* x 21-5/8" (549 mm) D x 21-1/4" (540 mm) H	14-1/4" (362 mm)	T18	Maple	\$576.80
4PIL-18SC-SV-3	(2) Standard, (1) Tall w/ Dividers	16-5/16" (567 mm) W* x 21-5/8" (549 mm) D x 22-3/4" (578 mm) H	14-1/4" (362 mm)	T18	Maple	\$780.10
4PIL-24SC-SV-2	(1) Standard, (1) Tall w/ Dividers	22-5/16" (567 mm) W* x 21-5/8" (549 mm) D x 21-1/4" (540 mm) H	18-1/4" (463 mm)	T24	Maple	\$643.50
4PIL-24SC-SV-3	(2) Standard, (1) Tall w/ Dividers	22-5/16" (567 mm) W* x 21-5/8" (549 mm) D x 23-3/4" (603 mm) H	18-1/4" (463 mm)	T24	Maple	\$869.70

Pilaster System Kits -w/ BLUMOTION Soft-Close - Slides and Uprights - Brown

4PIL-18SC-2	(1) Standard, (1) Tall w/ Dividers	16-5/16" (567 mm) W* x 21-5/8" (549 mm) D x 21-1/4" (540 mm) H	14-1/4" (362 mm)	T18	Maple	\$579.55
4PIL-18SC-3	(2) Standard, (1) Tall w/ Dividers	16-5/16" (567 mm) W* x 21-5/8" (549 mm) D x 22-3/4" (578 mm) H	14-1/4" (362 mm)	T18	Maple	\$783.75
4PIL-24SC-2	(1) Standard, (1) Tall w/ Dividers	22-5/16" (567 mm) W* x 21-5/8" (549 mm) D x 21-1/4" (540 mm) H	18-1/4" (463 mm)	T24	Maple	\$643.35
4PIL-24SC-3	(2) Standard, (1) Tall w/ Dividers	22-5/16" (567 mm) W* x 21-5/8" (549 mm) D x 23-3/4" (603 mm) H	18-1/4" (463 mm)	T24	Maple	\$873.90

Pilaster Kits -Uprights Only

4PIL-21-SV-1	Pilaster Upright Kit	1" (25 mm) W† x 1" (25 mm) D x 21" (533 mm) H			Silver	\$79.90
4PIL-21-SV-10	(10) Pilaster Upright Kits				Silver	\$59.15 ea.
4PIL-21-1	Pilaster Upright Kit	1" (25 mm) W† x 1" (25 mm) D x 21" (533 mm) H			Brown	\$79.90
4PIL-21-10	(10) Pilaster Upright Kits				Brown	\$59.15 ea.

Pilaster Buttons

4PIL-BUTTON-1	Pilaster upright button kit for slide attach (1 set of 4 buttons)				Silver	\$5.80
4PIL-BUTTON-12	Pilaster upright buttons for slide attach (12 sets of 4 buttons)				Silver	\$2.30 ea.

Drawer Box w/ BLUMOTION Soft-Close

PRODUCT	DESCRIPTION	DIMS	MCO	TC	FINISH	SLP
4WDB4-PIL-18SC-1	(1) Standard drawer	13-3/8" (340 mm) W x 21" (533 mm) D x 4" (102 mm) H (drawers only)	13-3/4" (349 mm)	T18	Maple	\$250.15
4WDB7-PIL-18SC-1	(1) Tall drawer w/ dividers	13-3/8" (340 mm) W x 21" (533 mm) D x 7" (178 mm) H (drawers only)	13-3/4" (349 mm)	T18	Maple	\$327.85
4WDB4-PIL-24SC-1	(1) Standard drawer for 24"	19-3/8" (492 mm) W x 21" (533 mm) D x 4" (102 mm) H (drawers only)	19-3/4" (502 mm)	T24	Maple	\$276.35
4WDB7-PIL-24SC-1	(1) Tall drawer w/ dividers	19-3/8" (567 mm) W x 21" (533 mm) D x 7" (178 mm) H (drawers only)	19-3/4" (502 mm)	T24	Maple	\$370.60



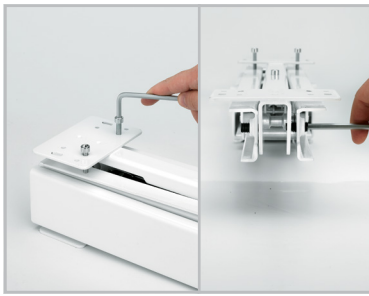
Pantry Features:

- Shipped ready to assemble
- Patented door mount brackets with micro-adjustment (US Patent No: 8,338,076)
- Natural maple construction with semi-gloss finish
- Rub bushings included for 1-1/2", 1-5/8", 1-3/4" face frames
- TSCA Title VI compliant

Slide Features:

- 450 lb. rated static
- 250 lb. recommended use with pantry
- Gas assisted soft-close
- Pull force is equal to opening a high-end refrigerator

448-TP43-11-1



Horizontal and vertical slide adjustment



Adjustable Shelves



For inset applications or for those who prefer to keep their cabinets flawless, we recommend our IDRB bushing. The discreet design prevents side to side movement and fits behind the frame, eliminating the need for surface drilling giving you a seamless look and unparalleled stability.



448-TP43-5-1
Pullout Pantry
(5" version shown)



448-TP51-8-1
Pullout Pantry
(8" version shown)



448-TP58-11-1
Pullout Pantry
(11" version shown)



448-TP58-14-1
Pullout Pantry
(14" version shown)

5" Wood Pantry Pullout w/ Soft-Close

PRODUCT	DESCRIPTION	DIMS	MCO	CAB	FINISH	SLP
448-TP43-5-1	Wood Pantry Pullout	5" (127 mm) W x 22" (559 mm) D x 43-1/4" – 51-13/16" (1099- 1316 mm) H	5-1/2" (140 mm)	T9	Maple	\$630.60
448-TP51-5-1	Wood Pantry Pullout	5" (127 mm) W x 22" (559 mm) D x 50-3/4" – 59-5/16" (1289- 1507 mm) H	5-1/2" (140 mm)	T9	Maple	\$666.00
448-TP58-5-1	Wood Pantry Pullout	5" (127 mm) W x 22" (559 mm) D x 58-1/4" – 66-13/16" (1480- 1697 mm) H	5-1/2" (140 mm)	T9	Maple	\$696.30

8" Wood Pantry Pullout w/ Soft-Close

448-TP43-8-1	Wood Pantry Pullout	8" (204 mm) W x 22" (559 mm) D x 43-1/4" – 51-13/16" (1099- 1316 mm) H	8-1/2" (216 mm)	T12	Maple	\$665.85
448-TP51-8-1	Wood Pantry Pullout	8" (204 mm) W x 22" (559 mm) D x 50-3/4" – 59-5/16" (1289- 1507 mm) H	8-1/2" (216 mm)	T12	Maple	\$713.25
448-TP58-8-1	Wood Pantry Pullout	8" (204 mm) W x 22" (559 mm) D x 58-1/4" – 66-13/16" (1480- 1697 mm) H	8-1/2" (216 mm)	T12	Maple	\$762.25

11" Wood Pantry Pullout w/ Soft-Close

448-TP43-11-1	Wood Pantry Pullout	11" (280 mm) W x 22" (559 mm) D x 43-1/4" – 51-13/16" (1099- 1316 mm) H	11-1/2" (292 mm)	T15	Maple	\$734.55
448-TP51-11-1	Wood Pantry Pullout	11" (280 mm) W x 22" (559 mm) D x 50-3/4" – 59-5/16" (1289- 1507 mm) H	11-1/2" (292 mm)	T15	Maple	\$954.15
448-TP58-11-1	Wood Pantry Pullout	11" (280 mm) W x 22" (559 mm) D x 58-1/4" – 66-13/16" (1480- 1697 mm) H	11-1/2" (292 mm)	T15	Maple	\$852.75

14" Wood Pantry Pullout w/ Soft-Close

448-TP43-14-1	Wood Pantry Pullout	14" (356 mm) W x 22" (559 mm) D x 43-1/4" – 51-13/16" (1099- 1316 mm) H	14-1/2" (368 mm)	T18	Maple	\$804.15
448-TP51-14-1	Wood Pantry Pullout	14" (356 mm) W x 22" (559 mm) D x 50-3/4" – 59-5/16" (1289- 1507 mm) H	14-1/2" (368 mm)	T18	Maple	\$871.30
448-TP58-14-1	Wood Pantry Pullout	14" (356 mm) W x 22" (559 mm) D x 58-1/4" – 66-13/16" (1480- 1697 mm) H	14-1/2" (368 mm)	T18	Maple	\$946.00

Accessories

IDRB-1	Adjustable Rub Bushing for Inset Application	Metal	\$13.05
--------	--	-------	---------

- Available for 6" application in 39" and 45" heights
- Use alone or in conjunction with others to reach 84", 90", or 96" heights
- Adjustable shelves:
 - (5) for the 39" model
 - (6) for the 45" model
- Full-extension, ball-bearing slides, 150 lb. rated
- Features three-slide design that provides for the most stable function on the market
- TSCA Title VI compliant



432-TF39-6C
Wood Tall Filler Pullout
(39" version shown)



432-TF45-6C
Wood Tall Filler Pullout
(45" version shown)



Included mending plates securely fastens both frames together

432-TF45-6C

Wood Tall Filler Pullout

PRODUCT	DESCRIPTION	DIMS	FINISH	SLP
432-TF39-6C	39" Tall Filler Organizer	6" (153 mm) W x 23" (584 mm) D x 38-1/2" (978 mm) H	Maple	\$403.80
432-TF45-6C	45" Tall Filler Organizer	6" (153 mm) W x 23" (584 mm) D x 44-1/2" (1130 mm) H	Maple	\$434.85

Wood Tall Stainless Filler Pullout

434 Series



- Available for 6" applications in 39" and 45" heights
- Use alone or in conjunction with others to reach 84", 90", or 96" heights
- Features magnetic grade stainless steel panel and chrome accents
- Includes a variety of accessory hooks
- Full-extension, ball-bearing slides, 150 lb. rated
- Features three-slide design that provides for the most stable function on the market
- TSCA Title VI compliant

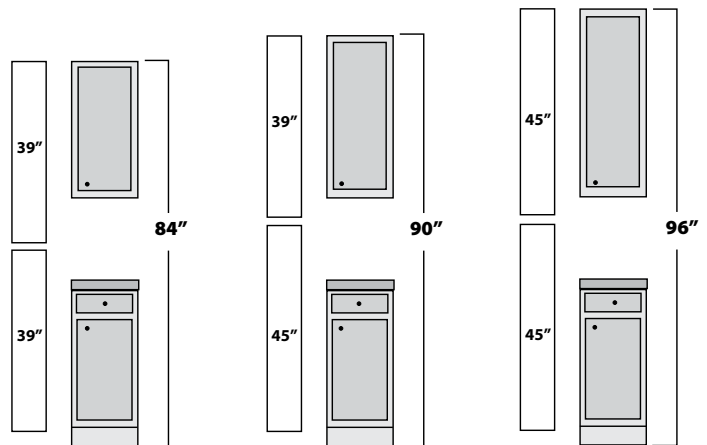
432-TF45-6C



434-TF39-6SS
Tall Filler - Left Handed
(39" version shown)



434-TF45R-6SS
Tall Filler - Right Handed
(45" version shown)



Different combinations permit use in 30", 36" and 42" wall applications

Wood Tall Stainless Filler Pullout - Left Handed

PRODUCT	DESCRIPTION		FINISH	SLP
434-TF39-6SS	39" Tall Filler Organizer	6" (153 mm) W x 23" (584 mm) D x 38-1/2" (978 mm) H	Maple	\$600.30
434-TF45-6SS	45" Tall Filler Organizer	6" (153 mm) W x 23" (584 mm) D x 44-1/2" (1130 mm) H	Maple	\$637.85

Wood Tall Stainless Filler Pullout - Right Handed

434-TF39R-6SS	39" Tall Filler Organizer	6" (153 mm) W x 23" (584 mm) D x 38-1/2" (978 mm) H	Maple	\$600.75
434-TF45R-6SS	45" Tall Filler Organizer	6" (153 mm) W x 23" (584 mm) D x 44-1/2" (1130 mm) H	Maple	\$634.80

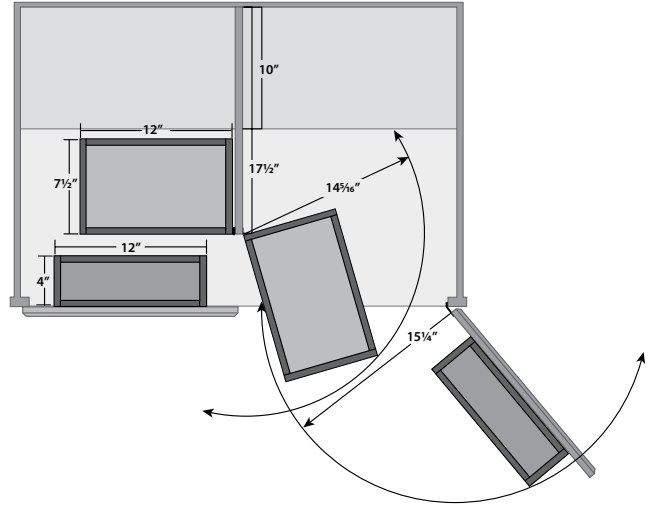


- Designed for 36" cabinets
- Adjustable interior door and pantry shelves
- Adjustable mounting brackets (US Patente No: 7,204,569)
- Removable chrome accents
- Maple construction with semi-gloss finish
- Swings out on an industrial piano hinge
- Complete kit (2) swing out units and (2) door storage units and patented door mount brackets
- TSCA Title VI compliant

(4WDP18-45) (4WSP18-45) (4WSP18-45) (4WDP18-45)



4WP18-45-KIT
Wood Swing Out Pantry
(45" version shown)



4WP18-51-KIT
Wood Swing Out Pantry
(51" version shown)



4WP18-57-KIT
Wood Swing Out Pantry
(57" version shown)

Wood Swing Out Pantry

PRODUCT	DESCRIPTION	DIMs	MCO	CAB	FINISH	SLP
4WP18-45-KIT	45" Swing Out Pantry Kit - Includes (2) 4WDP18-45 and (2) 4WSP18-45		33" (838 mm)	T36	Maple	\$750.50
4WP18-51-KIT	51" Swing Out Pantry Kit - Includes (2) 4WSP18-51 and (2) 4WDP18-51		33" (838 mm)	T36	Maple	\$797.20
4WP18-57-KIT*	57" Swing Out Pantry Kit - Includes (2) 4WDP18-57 and (2) 4WSP18-57		33" (838 mm)	T36	Maple	\$798.65

Components

4WSP18-45	45" Swing Out Pantry (w/Hardware)	12" (305 mm) W x 7-1/2" (191 mm) D x 45" (1143 mm) H	33" (838 mm)	T36	Maple	\$213.45
4WDP18-45	45" Pantry Door Unit (w/Hardware)	12" (305 mm) W x 4" (102 mm) D x 45" (1143 mm) H	33" (838 mm)	T36	Maple	\$166.75
4WSP18-51	51" Swing Out Pantry (w/Hardware)	12" (305 mm) W x 7-1/2" (191 mm) D x 51-1/4" (1302 mm) H	33" (838 mm)	T36	Maple	\$226.50
4WDP18-51	51" Pantry Door Unit (w/Hardware)	12" (305 mm) W x 4" (102 mm) D x 51-1/4" (1302 mm) H	33" (838 mm)	T36	Maple	\$177.05
4WSP18-57*	57" Swing Out Pantry (w/Hardware)	12" (305 mm) W x 7-1/2" (191 mm) D x 57" (1448 mm) H	33" (838 mm)	T36	Maple	\$234.30
4WDP18-57*	57" Pantry Door Unit (w/Hardware)	12" (305 mm) W x 4" (102 mm) D x 57" (1448 mm) H	33" (838 mm)	T36	Maple	\$178.50

- Designed for full access 18" and 24" width pantry cabinets
- Overall height 74"
- (2) door mounting brackets
- (5) easy-to-adjust shelves
- Solid bottom shelves with textured linen finish
- Swing out hardware allows complete access to pantry
- Orion gray finish and flat wire construction
- TSCA Title VI compliant



5374-24FL-FOG



5374-18FL-FOG
Swing Out Pantry
(18" version shown)



For video visit:
rev-a-shelf.com/videos

Full Access Flat Wire Swing Out Pantry

PRODUCT	DESCRIPTION	MCO	CAB	FINISH	SLP
5374-18FL-FOG	Pantry for 18" 14-1/4" (360 mm) W x 18-1/2" (470 mm) D x 74-1/16" (1881 mm) H	16-1/2" (419 mm)	FLT18	Orion Gray	\$1,189.30
5374-24FL-FOG	Pantry for 24" 22-1/16" (560 mm) W x 18-1/2" (470 mm) D x 74-1/16" (1881 mm) H	22-1/2" (571 mm)	FLT24	Orion Gray	\$1,240.35



- Available in three heights and two widths
- Solid bottom shelves with chrome-plated round wire and Stylinox™ anti-skid, natural maple
- Full-extension slides with soft-close, 250 lb. rated
- Built-in door mount brackets
- TSCA Title VI compliant

Tall
Solutions

5273-14-MP



Pantry Pullout w/ Soft-Close — (5) Shelves (3) Door Mount Brackets

PRODUCT	DESCRIPTION	DIMS	MCO	CAB	FINISH	SLP
5258-09-MP	Pantry Pullout	8-5/8" (219 mm) W x 20" (508 mm) D x 59-1/2" – 66-7/8" (1510 - 1700 mm) H	9" (229 mm)	T12	Maple	\$1,408.55
5258-14-MP	Pantry Pullout	14-1/2" (369 mm) W x 20" (508 mm) D x 59-1/2" – 66-7/8" (1510 - 1700 mm) H	15" (381 mm)	T18	Maple	\$1,499.30

Pantry Pullout w/ Soft-Close — (6) Shelves (4) Door Mount Brackets

5273-09-MP	Pantry Pullout	8-5/8" (219 mm) W x 20" (508 mm) D x 74-7/8" – 81-7/8" (1900 - 2080 mm) H	9" (229 mm)	T12	Maple	\$1,642.40
5273-14-MP	Pantry Pullout	14-1/2" (369 mm) W x 20" (508 mm) D x 26-3/4" – 81-7/8" (1900 - 2080 mm) H	15" (381 mm)	T18	Maple	\$1,838.90



- Available in five widths and four height ranges for full access (frameless) 24" deep cabinetry
- Natural maple or gray solid bottom shelves
- Full-extension slides with soft-close, 250 lb. rated
- Micro-adjustment door mounting brackets
- Kit packaged with frame, baskets and hardware
- TSCA Title VI compliant

5373-13-MP

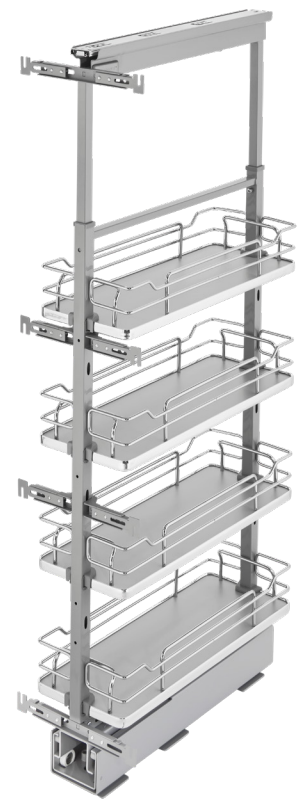
BASKET WIDTH
8" (203 mm)
10" (254 mm)
13" (330 mm)
16" (406 mm)
19" (482 mm)



Adjustable door mount bracket



Solid bottom shelves available in maple or gray



5343-08-GR
Pullout Pantry
(8" gray version shown)



With the adjustable shelf extender bracket you can move the top shelf on our 5300 Series pantries with ease. The slide-on design installs effortlessly when affixing to the fully extended frame letting you rearrange your shelves and maximize your storage space.



NOTE: ** Insert "MP" for Maple Shelf or "GR" for Gray Shelf

Solid Bottom Pantry Pullout w/ Soft-Close — (4) Shelves/ (2) Door Mount Brackets						
PRODUCT	DESCRIPTION	DIMS	MCO	CAB	SLP	
5343-08-**	Pantry Pullout	8-1/4" (210 mm) W x 21-11/16" (550 mm) D x 43-13/32" – 50-3/4" (1102 mm - 1289 mm) H	8-1/2" (216 mm)	T12		\$1,082.15
5343-10-**	Pantry Pullout	10-1/4" (260 mm) W x 21-11/16" (550 mm) D x 43-13/32" – 50-3/4" (1102 mm - 1289 mm) H	10-1/2" (267 mm)	FLT12		\$1,116.95
5343-13-**	Pantry Pullout	13-1/4" (337 mm) W x 21-11/16" (550 mm) D x 43-13/32" – 50-3/4" (1102 mm - 1289 mm) H	13-1/2" (343 mm)	FLT15		\$1,126.35
5343-16-**	Pantry Pullout	16-1/4" (413 mm) W x 21-11/16" (550 mm) D x 43-13/32" – 50-3/4" (1102 mm - 1289 mm) H	16-1/2" (419 mm)	FLT18		\$1,217.15
5343-19-**	Pantry Pullout	19-1/4" (489 mm) W x 21-11/16" (550 mm) D x 43-13/32" – 50-3/4" (1102 mm - 1289 mm) H	19-1/2" (495 mm)	FLT21		\$1,230.75
5350-08-**	Pantry Pullout	8-1/4" (210 mm) W x 21-11/16" (550 mm) D x 50-3/4" – 58-9/32" (1289 mm - 1480 mm) H	8-1/2" (216 mm)	T12		\$1,067.90
5350-10-**	Pantry Pullout	10-1/4" (260 mm) W x 21-11/16" (550 mm) D x 50-3/4" – 58-9/32" (1289 mm - 1480 mm) H	10-1/2" (267 mm)	FLT12		\$1,102.15
5350-13-**	Pantry Pullout	13-1/4" (337 mm) W x 21-11/16" (550 mm) D x 50-3/4" – 58-9/32" (1289 mm - 1480 mm) H	13-1/2" (343 mm)	FLT15		\$1,111.30
5350-16-**	Pantry Pullout	16-1/4" (413 mm) W x 21-11/16" (550 mm) D x 50-3/4" – 58-9/32" (1289 mm - 1480 mm) H	16-1/2" (419 mm)	FLT18		\$1,200.30
5350-19-**	Pantry Pullout	19-1/4" (489 mm) W x 21-11/16" (550 mm) D x 50-3/4" – 58-9/32" (1289 mm - 1480 mm) H	19-1/2" (495 mm)	FLT21		\$1,213.65
Solid Bottom Pantry Pullout w/ Soft-Close — (5) Shelves/ (3) Door Mount Brackets						
5358-08-**	Pantry Pullout	8-1/4" (210 mm) W x 21-11/16" (550 mm) D x 58-1/4" – 65-3/4" (1479 mm - 1670 mm) H	8-1/2" (216 mm)	T12		\$1,186.10
5358-10-**	Pantry Pullout	10-1/4" (260 mm) W x 21-11/16" (550 mm) D x 58-1/4" – 65-3/4" (1479 mm - 1670 mm) H	10-1/2" (267 mm)	FLT12		\$1,228.45
5358-13-**	Pantry Pullout	13-1/4" (337 mm) W x 21-11/16" (550 mm) D x 58-1/4" – 65-3/4" (1479 mm - 1670 mm) H	13-1/2" (343 mm)	FLT15		\$1,239.45
5358-16-**	Pantry Pullout	16-1/4" (413 mm) W x 21-11/16" (550 mm) D x 58-1/4" – 65-3/4" (1479 mm - 1670 mm) H	16-1/2" (419 mm)	FLT18		\$1,349.80
5358-19-**	Pantry Pullout	19-1/4" (489 mm) W x 21-11/16" (550 mm) D x 58-1/4" – 65-3/4" (1479 mm - 1670 mm) H	19-1/2" (495 mm)	FLT21		\$1,365.75
Solid Bottom Pantry Pullout w/ Soft-Close — (6) Shelves/ (4) Door Mount Brackets						
5373-08-**	Pantry Pullout	8-1/4" (210 mm) W x 21-11/16" (550 mm) D x 73-5/8" – 80-3/4" (1870 mm - 2051 mm) H	8-1/2" (216 mm)	T12		\$1,340.25
5373-10-**	Pantry Pullout	10-1/4" (260 mm) W x 21-11/16" (550 mm) D x 73-5/8" – 80-3/4" (1870 mm - 2051 mm) H	10-1/2" (267 mm)	FLT12		\$1,392.15
5373-13-**	Pantry Pullout	13-1/4" (337 mm) W x 21-11/16" (550 mm) D x 73-5/8" – 80-3/4" (1870 mm - 2051 mm) H	13-1/2" (343 mm)	FLT15		\$1,406.95
5373-16-**	Pantry Pullout	16-1/4" (413 mm) W x 21-11/16" (550 mm) D x 73-5/8" – 80-3/4" (1870 mm - 2051 mm) H	16-1/2" (419 mm)	FLT18		\$1,541.80
5373-19-**	Pantry Pullout	19-1/4" (489 mm) W x 21-11/16" (550 mm) D x 73-5/8" – 80-3/4" (1870 mm - 2051 mm) H	19-1/2" (495 mm)	FLT21		\$1,563.70

Accessories

57-EXTEND-1	5700 Series Extender Bracket					\$21.75
-------------	------------------------------	--	--	--	--	---------



- Available in five widths and four height ranges for 24" deep cabinetry
- Full-extension, 250 lb. rated slides with soft-close
- Adjustable door mount brackets
- Kit packaged with frame, baskets and hardware

5743-20-CR

BASKET WIDTH	
4-1/8" (105 mm)	
8" (203 mm)	
10" (254 mm)	
14" (356 mm)	
16" (406 mm)	
19" (482 mm)	



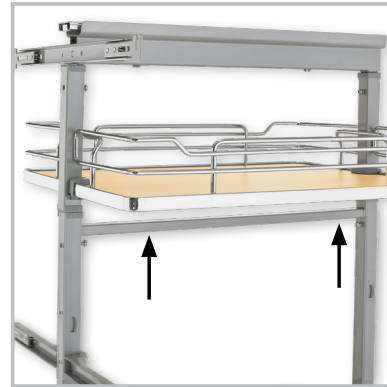
Adjustable door mount bracket



Height frame adjustment



With the adjustable shelf extender bracket you can move the top shelf on our 5300 Series pantries with ease. The slide-on design installs effortlessly when affixing to the fully extended frame letting you rearrange your shelves and maximize your storage space.



5773-10-CR-1
Pullout Pantry
(10" version shown)

Wire Pantry Pullout w/ Soft-Close — (4) Shelves/ (3) Door Mount Brackets

PRODUCT	DESCRIPTION	DIMS	MCO	CAB	SLP
5743-04-CR-1	Pantry Pullout	4-1/2" (105 mm) W x 21-11/16" (550 mm) D x 43-13/32" – 50-3/4" (1102 mm - 1289 mm) H	4-1/2" (114 mm)	T9	\$874.80
5743-08-CR-1	Pantry Pullout	8-1/4" (210 mm) W x 21-11/16" (550 mm) D x 43-13/32" – 50-3/4" (1102 mm - 1289 mm) H	8-1/2" (216 mm)	T12	\$952.50
5743-10-CR-1	Pantry Pullout	10-1/4" (260 mm) W x 21-11/16" (550 mm) D x 50-3/4" – 58-9/32" (1289 mm - 1480 mm) H	10-1/2" (268 mm)	T15	\$991.20
5743-14-CR-1	Pantry Pullout	14-1/4" (362 mm) W x 21-11/16" (550 mm) D x 50-3/4" – 58-9/32" (1289 mm - 1480 mm) H	14-1/2" (368 mm)	T18	\$1,018.90
5743-16-CR-1	Pantry Pullout	16-1/4" (413 mm) W x 21-11/16" (550 mm) D x 43-13/32" – 50-3/4" (1102 mm - 1289 mm) H	16-1/2" (419 mm)	T21	\$1,058.50
5743-20-CR-1	Pantry Pullout	20-11/16" (550 mm) W x 21-11/16" (550 mm) D x 43-13/32" – 50-3/4" (1102 mm - 1289 mm) H	20-1/2" (521 mm)	T24	\$1,102.15
5750-04-CR-1	Pantry Pullout	4-1/2" (105 mm) W x 21-11/16" (550 mm) D x 50-3/4" – 58-9/32" (1289 mm - 1480 mm) H	4-1/2" (114 mm)	T9	\$881.90
5750-08-CR-1	Pantry Pullout	8-1/4" (210 mm) W x 21-11/16" (550 mm) D x 50-3/4" – 58-9/32" (1289 mm - 1480 mm) H	8-1/2" (216 mm)	T12	\$966.40
5750-10-CR-1	Pantry Pullout	10-1/4" (260 mm) W x 21-11/16" (550 mm) D x 50-3/4" – 58-9/32" (1289 mm - 1480 mm) H	10-1/2" (268 mm)	T15	\$1,001.50
5750-14-CR-1	Pantry Pullout	14-1/4" (362 mm) W x 21-11/16" (550 mm) D x 50-3/4" – 58-9/32" (1289 mm - 1480 mm) H	14-1/2" (368 mm)	T18	\$1,033.00
5750-16-CR-1	Pantry Pullout	16-1/4" (413 mm) W x 21-11/16" (550 mm) D x 50-3/4" – 58-9/32" (1289 mm - 1480 mm) H	16-1/2" (419 mm)	T21	\$1,067.05
5750-20-CR-1	Pantry Pullout	20-11/16" (550 mm) W x 21-11/16" (550 mm) D x 43-13/32" – 50-3/4" (1102 mm - 1289 mm) H	20-1/2" (521 mm)	T24	\$1,109.55

Wire Pantry Pullout w/ Soft-Close — (5) Shelves/ (4) Door Mount Brackets

5758-04-CR-1	Pantry Pullout	4-1/2" (105 mm) W x 21-11/16" (550 mm) D x 58-1/4" – 65-3/4" (1479 mm - 1670 mm) H	4-1/2" (114 mm)	T9	\$944.65
5758-08-CR-1	Pantry Pullout	8-1/4" (210 mm) W x 21-11/16" (550 mm) D x 58-1/4" – 65-3/4" (1479 mm - 1670 mm) H	8-1/2" (216 mm)	T12	\$1,071.55
5758-10-CR-1	Pantry Pullout	10-1/4" (260 mm) W x 21-11/16" (550 mm) D x 58-1/4" – 65-3/4" (1479 mm - 1670 mm) H	10-1/2" (268 mm)	T15	\$1,109.85
5758-14-CR-1	Pantry Pullout	14-1/4" (362 mm) W x 21-11/16" (550 mm) D x 58-1/4" – 65-3/4" (1479 mm - 1670 mm) H	14-1/2" (368 mm)	T18	\$1,155.50
5758-16-CR-1	Pantry Pullout	16-1/4" (413 mm) W x 21-11/16" (550 mm) D x 58-1/4" – 65-3/4" (1479 mm - 1670 mm) H	16-1/2" (419 mm)	T21	\$1,196.95
5758-20-CR-1	Pantry Pullout	20-11/16" (550 mm) W x 21-11/16" (550 mm) D x 73-5/8" – 80-3/4" (1870 mm - 2051 mm) H	20-1/2" (521 mm)	T24	\$1,253.80

Wire Pantry Pullout w/ Soft-Close — (6) Shelves/ (4) Door Mount Brackets

5773-04-CR-1	Pantry Pullout	4-1/2" (105 mm) W x 21-11/16" (550 mm) D x 73-5/8" – 80-3/4" (1870 mm - 2051 mm) H	4-1/2" (114 mm)	T9	\$1,006.15
5773-08-CR-1	Pantry Pullout	8-1/4" (210 mm) W x 21-11/16" (550 mm) D x 73-5/8" – 80-3/4" (1870 mm - 2051 mm) H	8-1/2" (216 mm)	T12	\$1,161.90
5773-10-CR-1	Pantry Pullout	10-1/4" (260 mm) W x 21-11/16" (550 mm) D x 73-5/8" – 80-3/4" (1870 mm - 2051 mm) H	10-1/2" (268 mm)	T15	\$1,189.70
5773-14-CR-1	Pantry Pullout	14-1/4" (362 mm) W x 21-11/16" (550 mm) D x 73-5/8" – 80-3/4" (1870 mm - 2051 mm) H	14-1/2" (368 mm)	T18	\$1,259.90
5773-16-CR-1	Pantry Pullout	16-1/4" (413 mm) W x 21-11/16" (550 mm) D x 73-5/8" – 80-3/4" (1870 mm - 2051 mm) H	16-1/2" (419 mm)	T21	\$1,291.50
5773-20-CR-1	Pantry Pullout	20-11/16" (550 mm) W x 21-11/16" (550 mm) D x 73-5/8" – 80-3/4" (1870 mm - 2051 mm) H	20-1/2" (521 mm)	T24	\$1,357.80

Accessories

57-EXTEND-1	5700 Series Extender Bracket				\$21.75
-------------	------------------------------	--	--	--	---------

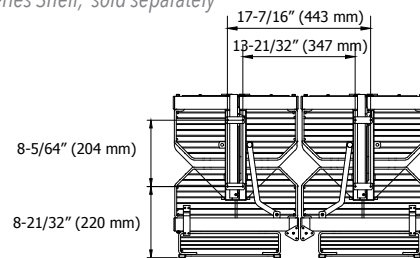
- Designed for 36" pantry applications
- (20) large interior chrome shelves
- (10) door mount shelves
- Adjustable door mount brackets
- Pivot sliding hardware allows full access to the back shelves

Tall Solutions



Pictured with our 5330 Series Shelf, sold separately

5374-24FL-FOG



Chef's Roll-Out Pantry w/ Door Storage

PRODUCT	DESCRIPTION	MCO	CAB	FINISH	SLP
5722-36CR	Chef's Roll-Out Pantry 30-3/4" (780 mm) W x 197/8" (504 mm) D x 49-1/4" - 52-1/4" (1251-1315 mm) H	33" (838 mm)	T36	Silver	\$1,755.20

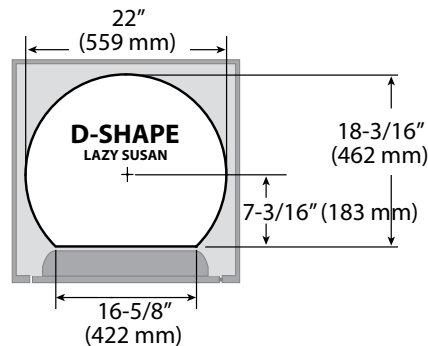


- Designed for pantry/tall cabinet applications
- (5) wood D-Shaped shelves
- Natural maple construction with semi-gloss finish
- 5/8" thick high density multi-ply shelf
- 1" high solid wood rim
- Independent rotating hardware, chrome
- 56" - 62" telescoping post
- Mounts to cabinet ceiling and floor
- TSCA Title VI compliant

Storage Trays (sold separately)

- Available in 11", 14" and 20" width trays
- Natural maple construction with semi-gloss finish and chrome accents
- Install on 26" or 58" standard with clips (sold separately)
- Mounts to cabinet door
- TSCA Title VI compliant

5273-14-MP



(5) Shelf Wood D-Shaped Pantry Set

PRODUCT	DESCRIPTION	DIMS	CAB	FINISH	SLP
4265-22-52	D-Shape Set	22" (559 mm) Diameter	T24	Maple	\$704.25

(5) Wood Door Storage Tray w/ Screw in Clips

4235-20-5	20" Door Storage Tray	19-3/4" (502 mm) W x 4-1/4" (108 mm) D x 3-5/8" (91 mm) H	T24	Maple	\$33.80 ea.
-----------	-----------------------	---	-----	-------	-------------

Standards w/ Clips

6232-58-4528-52	Standards w/ (10) Clips	58" (1473 mm) L		Aluminum	\$71.05
-----------------	-------------------------	-----------------	--	----------	---------

- Designed for pantry/tall cabinet applications
- (5) D-Shaped polystyrene shelves, almond or white
- Independent rotating hardware, chrome
- 56" - 62" telescoping post
- Mounts to cabinet ceiling and floor

Storage Trays (sold separately)

- (5) 20" polystyrene shelves, almond or white
 - Install on 58" standards with clips (sold separately)
 - Mounts to cabinet door



6265-22-11-52 & 6235-20-11-52

(5) Shelf Polymer D-Shaped Lazy Susan

PRODUCT	DESCRIPTION		FINISH	SLP
6265-22-**-52	(5) Shelf D-Shape Set	22" (560 mm) Diameter	Polymer	\$356.85
6235-20-**-52	(5) Door Storage Trays	19-3/4" (502 mm) W x 4-1/4" (110 mm) D x 3-9/16" (95 mm) H	Polymer	\$72.80

(2) Standards w/ Clips

6232-58-4528-52	Standards w/ (10) Clips	58" (1473 mm) L	Aluminum	\$73.95
-----------------	-------------------------	-----------------	----------	---------



- Designed for pantry/tall cabinet applications
- (5) Full Circle polystyrene shelves, almond or white
- Independent rotating hardware, chrome
- 56" - 62" telescoping post
- Mounts to cabinet ceiling and floor

Storage Trays (sold separately)

- (5) 20" polystyrene trays, almond or white
- Available in 8" and 14" width trays
- Install on 58" standards with clips (sold separately)
- Mounts to cabinet door

6065-18-11-52 & 6235-14-11-52

Tall
Solutions

NOTE: ** Insert "11" for White finish or "15" for Almond finish

(5) Shelf Polymer Round Lazy Susan

PRODUCT	DESCRIPTION	DIMS	CAB	FINISH	SLP
6065-16-**-52	Full-Circle Set	16" (410 mm) Diameter	T18	Polymer	\$354.10
6065-18-**-52	Full-Circle Set	18" (457 mm) Diameter	T21	Polymer	\$387.45

(5) Polymer Door Storage Tray w/ Screw in Clips

6235-14-**-52	Door Storage Trays	13-3/4" (350 mm) W x 4-1/4" (110 mm) D x 3-9/16" (95 mm) H	T18	Polymer	\$60.20
---------------	--------------------	--	-----	---------	---------

(2) Standards w/ Clips

6232-26-4528-52	Standards w/ (10) Clips	58" (1473 mm) L		Aluminum	\$71.05
-----------------	-------------------------	-----------------	--	----------	---------

- Designed for pantry/tall cabinet applications
- (5) D-Shaped or Kidney-Shaped polystyrene shelves, almond or white
- Available in 18", 20" or 24" diameters
- (5) shelf shaft (sold separately)
- Mounts to cabinet ceiling and floor

6221/6421 (sold separately)

- D-Shaped or Kidney-Shaped polystyrene shelf, almond or white
- Available in 18", 20" or 24" diameters
- Independent rotating hardware, chrome
- Mounts to cabinet floor



6221
D-Shaped Lazy Susan



6421
Kidney Shaped Lazy Susan
(24" version shown)

CONTAINS: (5) shelves w/ (5) position base assemblies, mounting flange, jack screw and 9-1/4" upper shaft assembly. (70-1/2" lower shaft sold separately)

NOTE: ** Insert "11" for White finish or "15" for Almond finish

(5) Shelf Walk-In Pantry Cabinet Lazy Susan - No Post

PRODUCT	DESCRIPTION		FINISH	SLP
6265-20-**-50	D-Shaped Lazy Susan	20" (508 mm) Diameter	Polymer	\$317.70
6465-18-**-50	Kidney Shaped Lazy Susan	18" (457 mm) Diameter	Polymer	\$286.50
6465-24-**-50	Kidney Shaped Lazy Susan	24" (609 mm) Diameter	Polymer	\$315.10

Shaft

6370-96-7008-26-52	Shaft w/ Bushing	70-1/2" (1791 mm) Length	Chrome	\$61.90
--------------------	------------------	--------------------------	--------	---------

Polymer Walk-In Cabinet Lazy Susan w/ Post

6221-20-**-52	D-Shaped Lazy Susan	20" (508 mm) Diameter	Polymer	\$60.45
6421-18-**-52	Kidney Shaped Lazy Susan	18" (457 mm) Diameter	Polymer	\$53.05
6421-24-**-52	Kidney Shaped Lazy Susan	24" (609 mm) Diameter	Polymer	\$56.70

Wood Walk-in Pantry Cabinet Lazy Susan

Wood Series

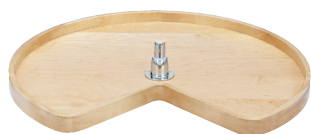


- Designed for pantry/tall cabinet applications
- (5) wood D-Shaped or Kidney-Shaped shelves
- Natural maple construction with semi-gloss finish
- (5) shelf shaft (sold separately)
- Mounts to cabinet ceiling and floor
- TSCA Title VI compliant

4WLS221/4WLS421 (sold separately)

- (1) wood D-Shaped or Kidney-Shaped shelf
- Natural maple construction with semi-gloss finish
- Available in 20" or 24" diameters
- Independent rotating hardware, chrome
- Mounts to cabinet floor
- TSCA Title VI compliant

Tall
Solutions



4WLS421-24
Kidney Shaped Lazy Susan



4WLS221-20
D-Shaped Lazy Susan

CONTAINS: (5) shelves w/ (5) position base assemblies, mounting flange, jack screw and 9-1/4" upper shaft assembly. (70-1/2" lower shaft sold separately)

(5) Shelf Wood Walk-In Pantry Lazy Susan

PRODUCT	DESCRIPTION	DIMS	FINISH	SLP
4265-20-50	D-Shaped Lazy Susan	20" (508 mm) Diameter	Maple	\$651.50
4465-24-50	Kidney Shaped Lazy Susan	24" (609 mm) Diameter	Maple	\$784.00

Post

6370-96-7008-26-52	Post w/ Bushing	70-1/2" (1791 mm) Length	Chrome	\$61.90
--------------------	-----------------	--------------------------	--------	---------

Maple Walk-In Pantry Cabinet Lazy Susan w/ Shaft

4WLS221-20-52	D-Shaped Lazy Susan	20" (508 mm) Diameter	Maple	\$104.70
4WLS421-24-52	Kidney Shaped Lazy Susan	24" (609 mm) Diameter	Maple	\$134.10



- Designed for 14" to 22" cabinet depths
- Solid wood construction, natural maple or gray
- Mounts to cabinet top and rear
- (3) slide configurations:
 - Full-extension, ball-bearing, 100 lb. rated slides
 - Full-extension, 110 lb. rated, concealed slides with BLUMOTION soft-close
 - Stainless steel full-extension, ball-bearing, 100 lb. rated slides
- Up to (7) hooks
- TSCA Title VI compliant



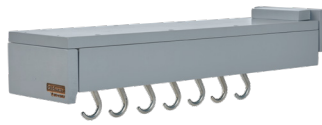
For video visit:
rev-a-shelf.com/videos

GLD-W14-BC-5

NOTE: Dimensions are without the optional rear mounting bracket. Rear mounting bracket is 6-1/4" (159 mm) wide and adds 3/4" (19 mm)" to the depth, and 13/16" (20 mm) to the height. MCO dimensions and CAB recommendations are dependent on what accessories you intend on hanging on product. Typical cookware will fit in B18



GLD-W14-SC-5
Glideware Pullout
w/ ball-bearing slide and (5) Hooks
(14" version shown)



GLD-W22-BG-7
Glideware Pullout
w/ BLUMOTION Soft-Close
and (7) Hooks
(22" version shown)



Outdoor application



Closet application



GLD-P22-SSW-2
Polymer Glideware Pullout
w/ ball-bearing slide and (5) Hooks
(22" version shown)



Glideware Hooks
Chrome, Black, Brass, Copper, Zinc



Use our B2B hooks for added storage anywhere you need

** - Insert BL for black, BR for brass, BZ for bronze, CP for copper and NC for nickel

Glideware Pullout w/ (5 or 7) Hooks

PRODUCT	DESCRIPTION	DIMS	CAB	FINISH	SLP
GLD-W14-SC-5	14" Glideware	4" (102 mm) W x 14" (356 mm) D x 4-1/8" (105 mm) H	B9	Maple	\$84.55
GLD-W22-SC-7	22" Glideware	4" (102 mm) W x 22" (559 mm) D x 4-1/8" (105 mm) H	B9	Maple	\$103.80

Glideware Pullout w/ BLUMOTION Soft-Close and (5 or 7) Hooks

GLD-W14-BC-5	14" Glideware	6" (153 mm) W x 14" (356 mm) D x 5-1/16" (128 mm) H	B9	Maple	\$196.80
GLD-W16-BC-5	16" Glideware	6" (153 mm) W x 16" (406 mm) D x 5-1/16" (128 mm) H	B9	Maple	\$202.70
GLD-W22-BC-7	22" Glideware	6" (153 mm) W x 22" (559 mm) D x 5-1/16" (128 mm) H	B9	Maple	\$228.50
GLD-W22-BG-7	22" Glideware	6" (153 mm) W x 22" (559 mm) D x 5-1/16" (128 mm) H	B9	Maple	\$230.25

Outdoor Polymer Glideware Pullout w/ Stainless Steel Slides and (5) Hooks

GLD-P22-SSW-5	22" Glideware	4-1/4" (108 mm) W x 22-3/4" (578 mm) D x 5-1/8" (130 mm) H	B9	White	\$320.30
---------------	---------------	--	----	-------	----------

Glideware Accessories

GLD-HK-S-ZC-7	(7) Glideware Short Hooks	1" (25 mm) W x 1-1/2" (38 mm) x 31/8" (80 mm) H		Zinc	\$11.45 ea.
GLD-HK-S-**-7	(7) Glideware Short Hooks	1" (25 mm) W x 1-1/2" (38 mm) x 31/8" (80 mm) H			\$11.45 ea.
GLD-HK-L-ZC-7	(7) Glideware Long Hooks	1" (25 mm) W x 1-1/2" (38 mm) x 4" (102 mm) H		Zinc	\$14.20 ea.
GLD-HK-L-**-7	(7) Glideware Long Hooks	1" (25 mm) W x 1-1/2" (38 mm) x 4" (102 mm) H			\$14.20 ea.
GLD-HK-2-ZC-5	(5) Glideware Back-to-Back Hooks	1" (25 mm) W x 2-43/64" (68 mm) x 3-1/8" (80 mm) H		Zinc	\$15.65 ea.
GLD-HK-2-**-5	(5) Glideware Back-to-Back Hooks	1" (25 mm) W x 2-43/64" (68 mm) x 3-1/8" (80 mm) H			\$15.65 ea.